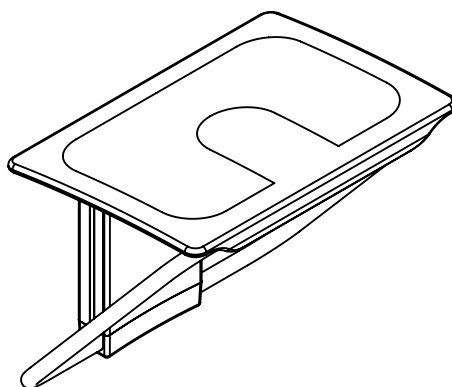
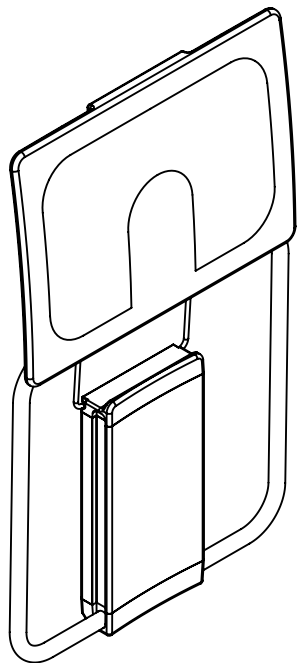
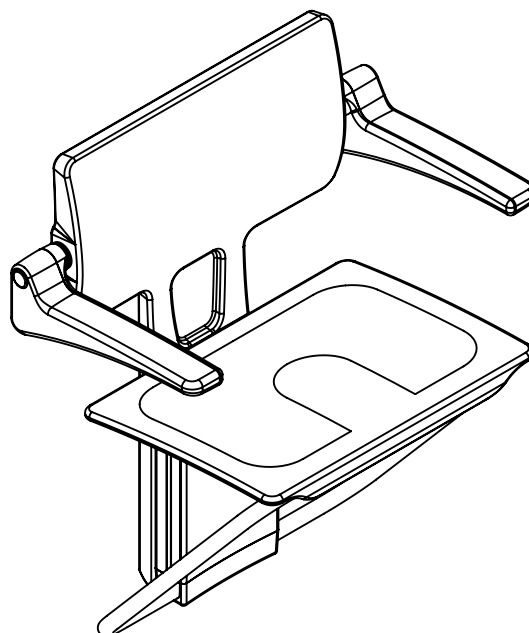
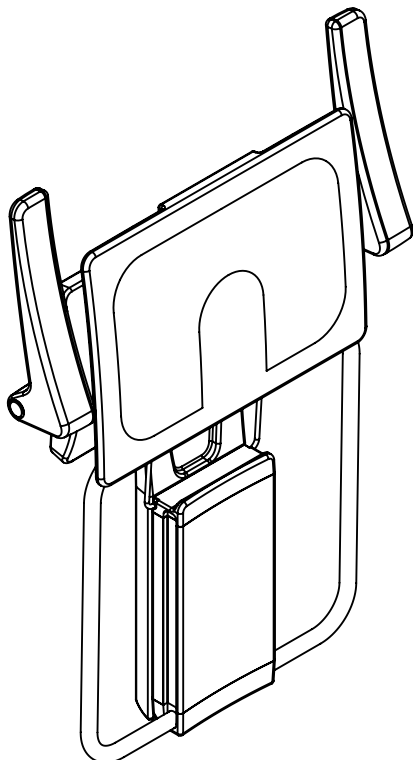


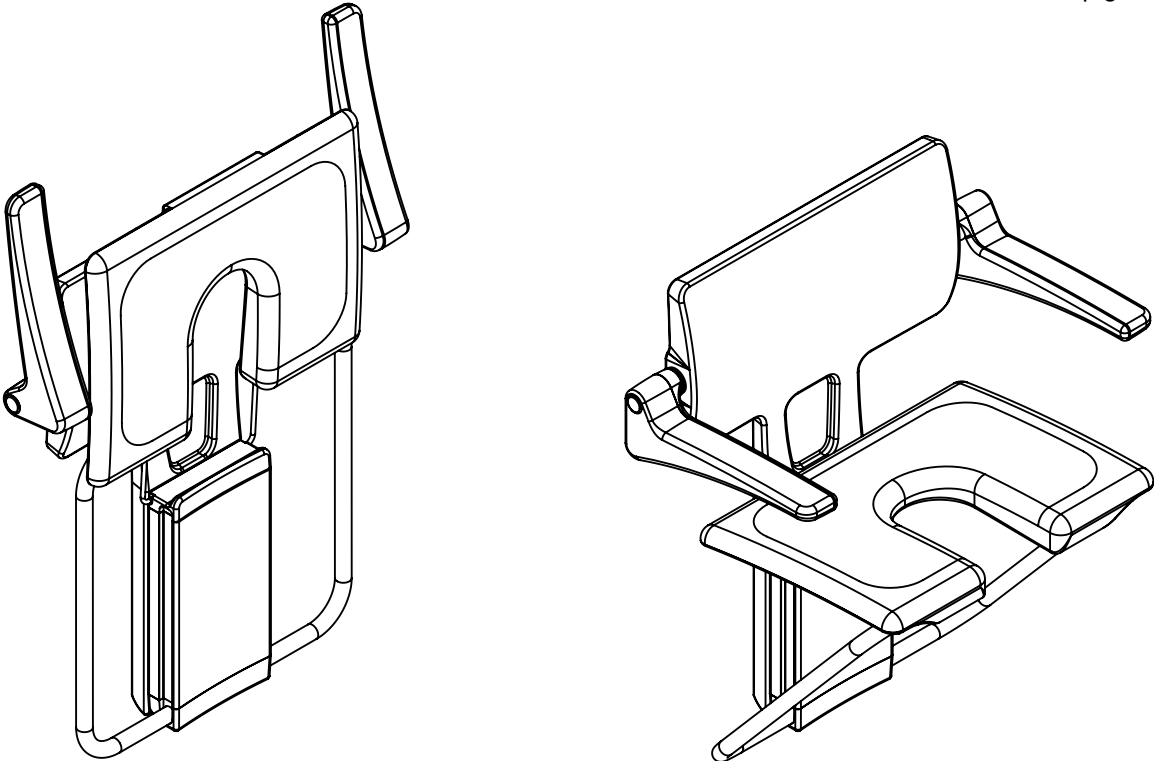
### SlimFold Shower Bench see pages 3 and 4

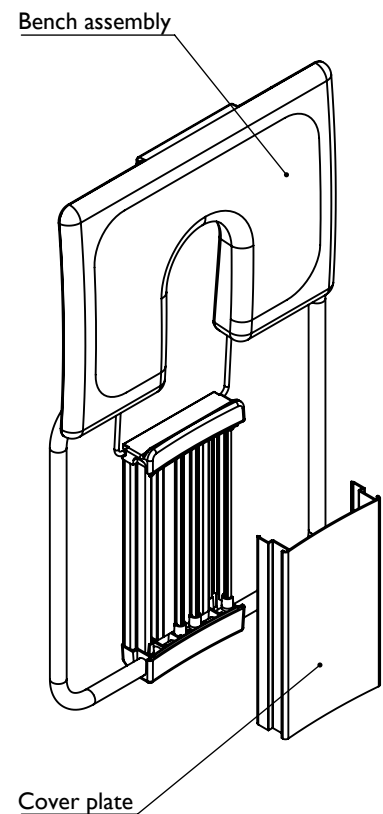
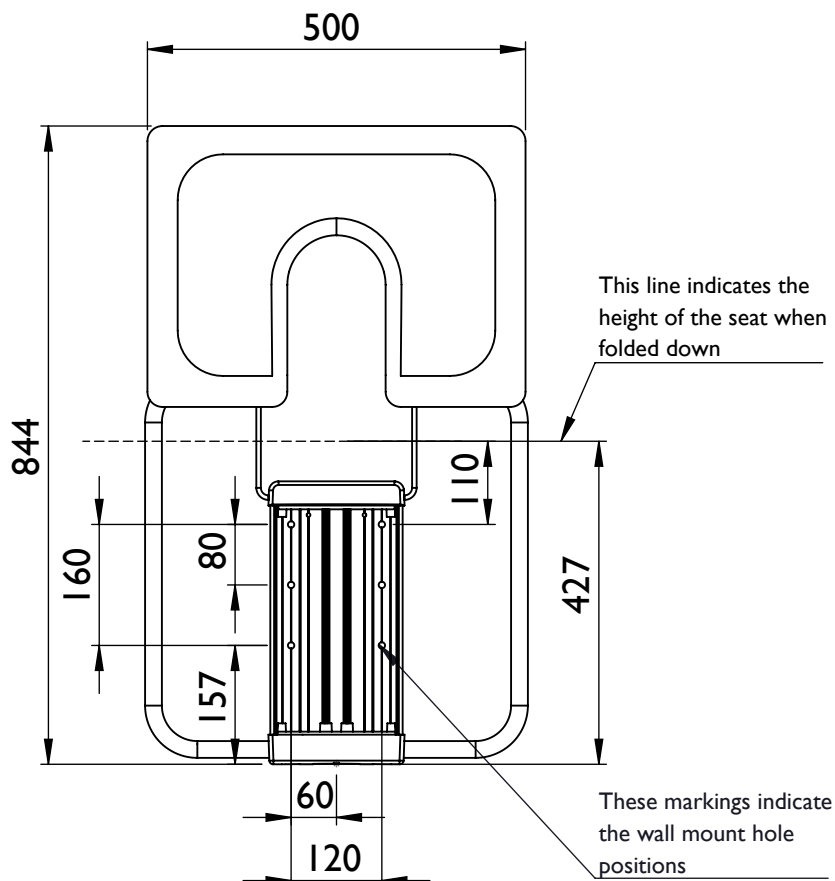
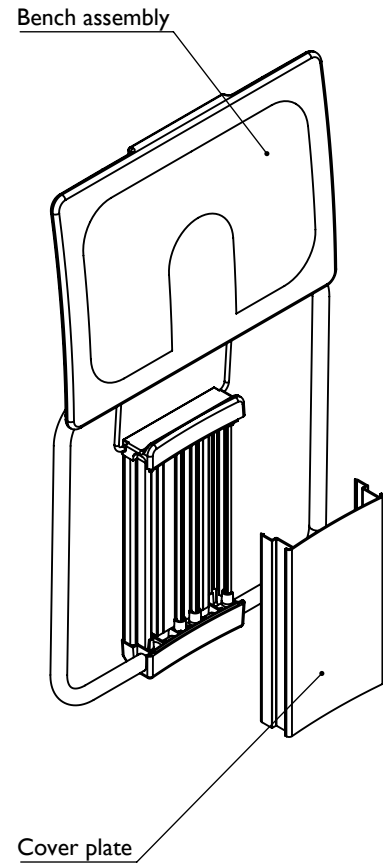
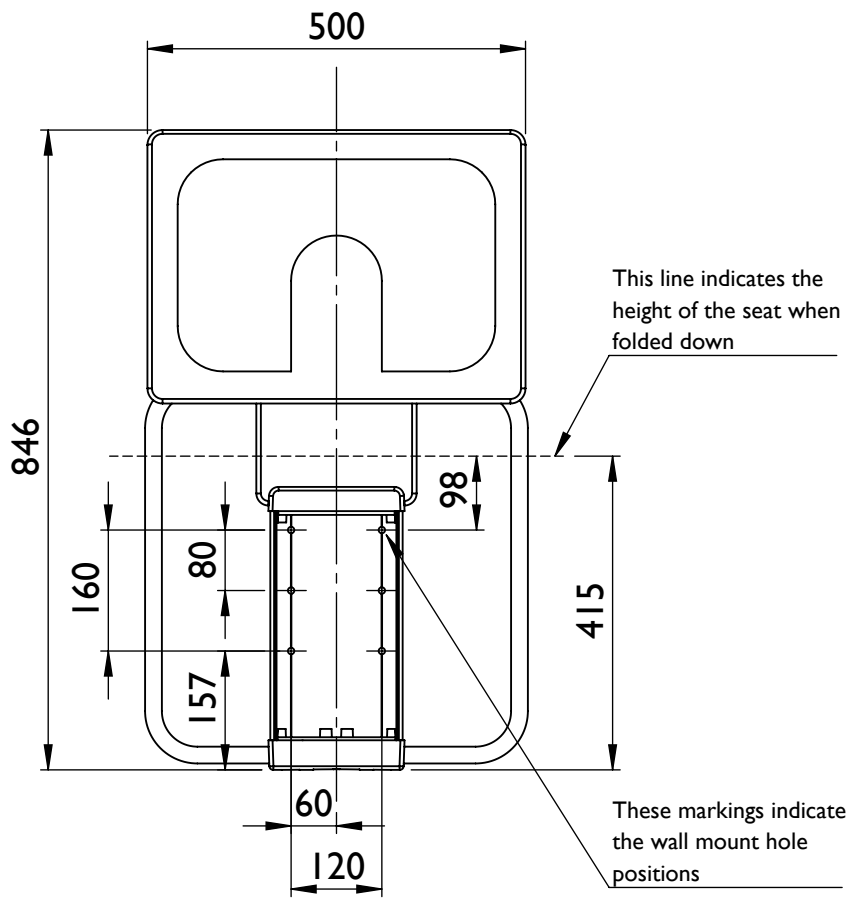


### SlimFold Shower Seat see pages 5 and 6



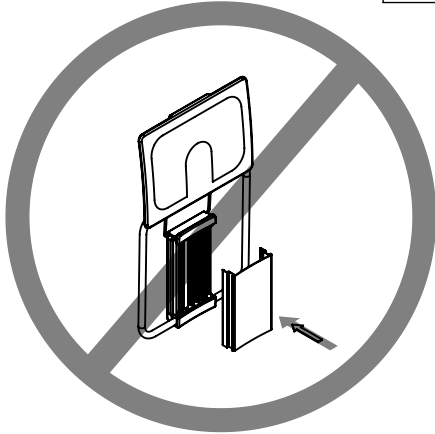
Horseshoe Shower Seat  
see pages 5 and 6



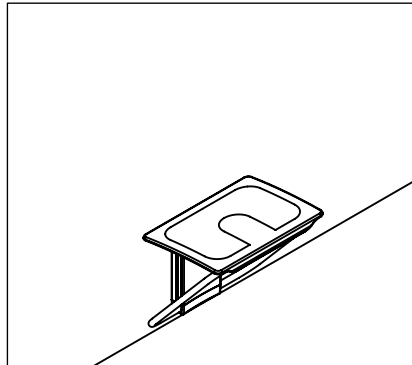


**Diagram 1.** SlimFold shower bench mounting hole positions.  
Refer to this diagram if further clarification of dimensions is required.

**Before starting:** This product must be fitted by a competent person. Additional wall reinforcement may be necessary, depending on its condition and construction.

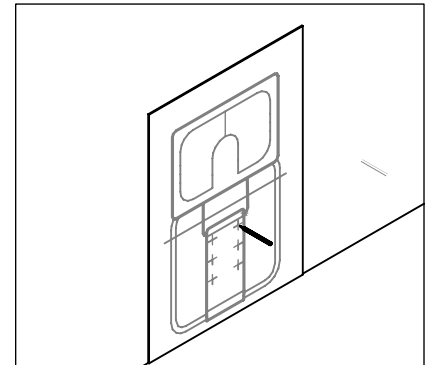


**Important:** The bench will be supplied with the cover plate not fitted. **Do not fit the cover plate** until the bench is fully mounted to the wall. Once snapped in place it will be difficult to remove.

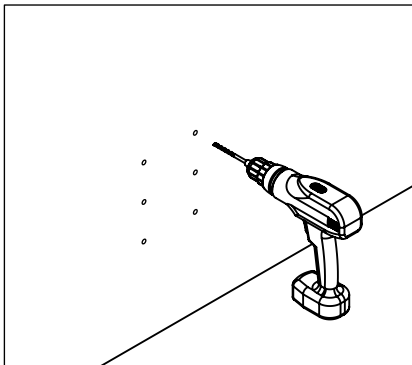


1. Determine the desired position of the shower seat.

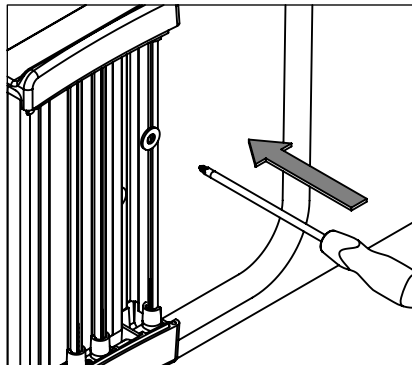
**Do not discard packaging as it will be used as a drilling template in step 2.**



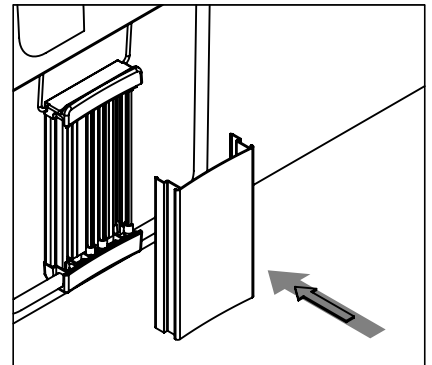
2. Using the drilling template (printed on the box), mark the position of all six holes onto the wall. **Make sure the template is at the desired height above the floor and level.**



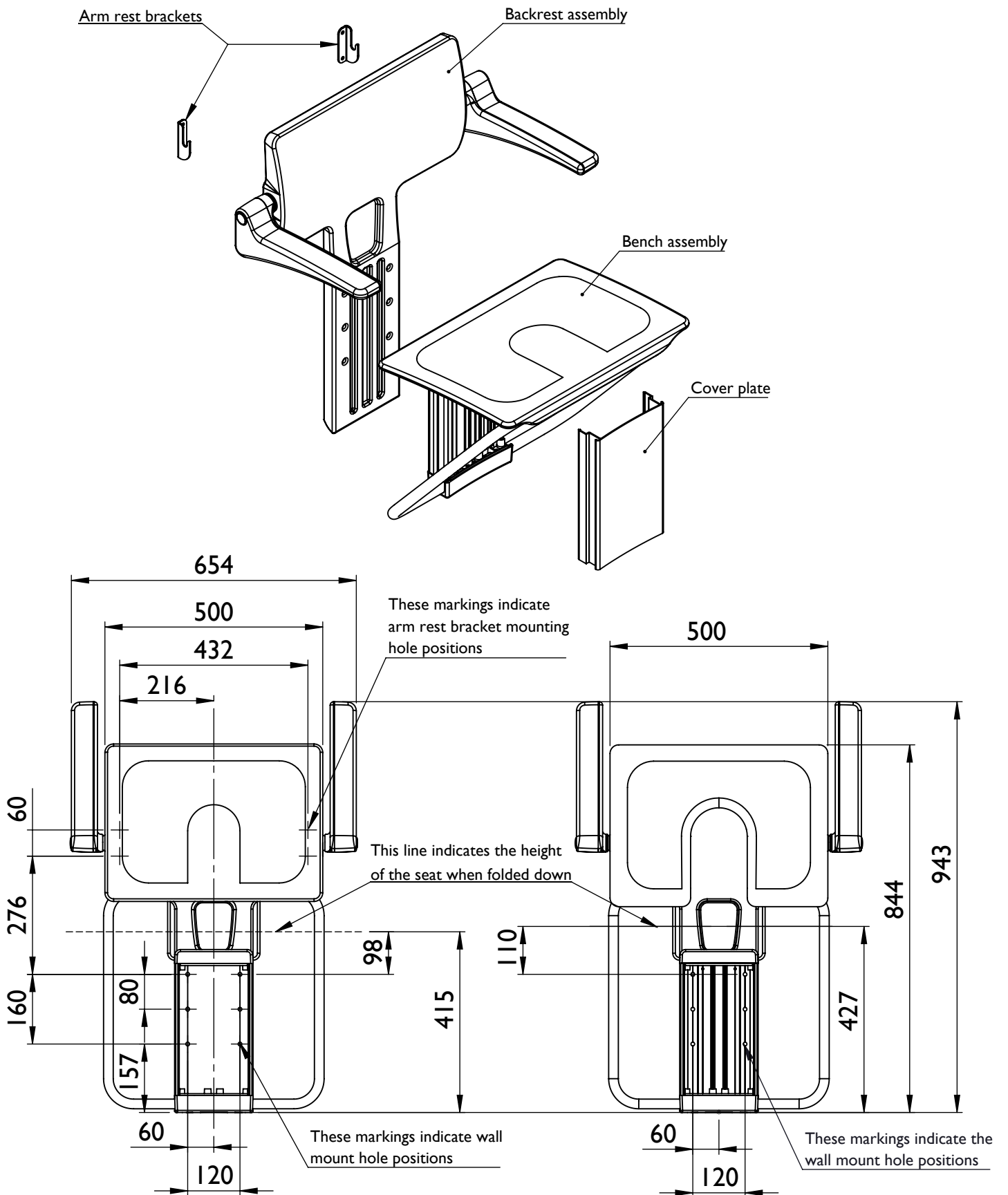
3. Select an appropriate fixing type for your wall, and drill the marked holes. **Refer to Fixing Guide for advice on wall types and fixings.**



4. With the cover removed, secure the seat assembly to the wall through the six mounting holes.

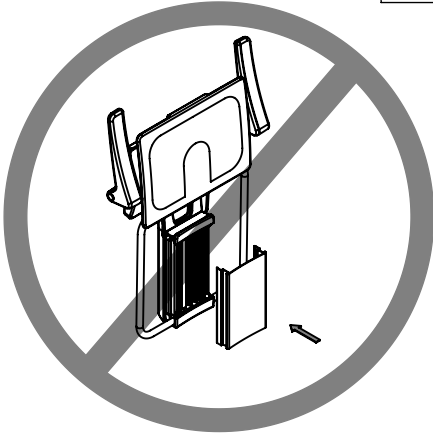


8. Once the wall mount is securely fixed, clip the cover plate on.

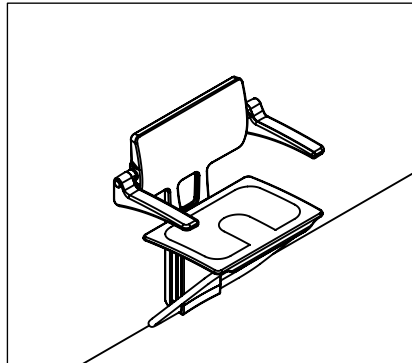


**Diagram 2.** SlimFold shower seat mounting hole positions. Refer to this diagram if further clarification of dimensions is required.

**Before starting:** This product must be fitted by a competent person. Additional wall reinforcement may be necessary, depending on its condition and construction.

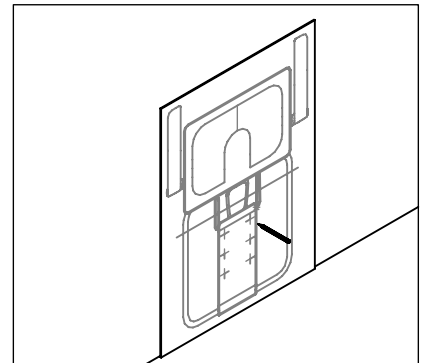


**Important:** The bench will be supplied with the cover plate not fitted. **Do not fit the cover plate** until the bench is fully mounted to the wall. Once snapped in place it will be difficult to remove.

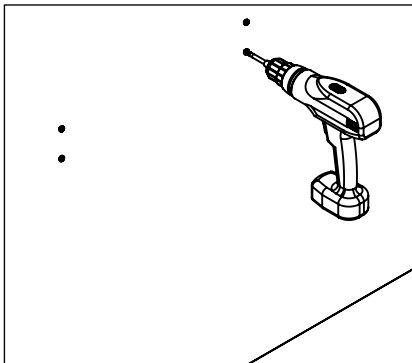


1. Determine the desired position of the shower seat.

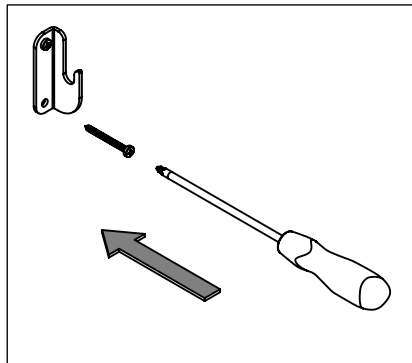
**Do not discard packaging as it will be used as a drilling template in step 2.**



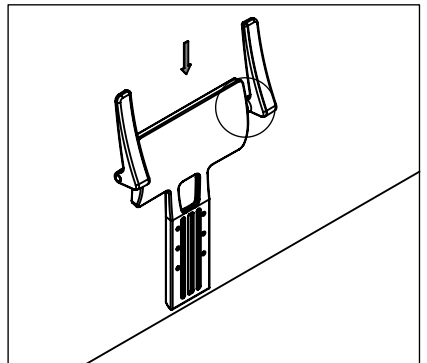
2. Using the drilling template (printed on the box), mark the position of all ten holes onto the wall. **Make sure the template is at the desired height above the floor and level.**



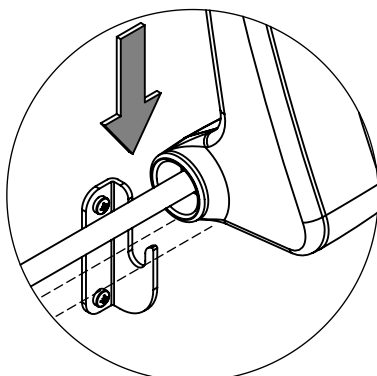
3. Select an appropriate fixing type for your wall, and drill the marked holes. **Refer to Fixing Guide for advice on wall types and fixings.**



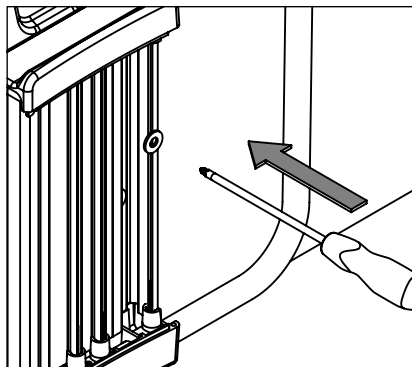
4. Fix the two arm rest brackets to the wall. Ensure the hook shape is on the outside.



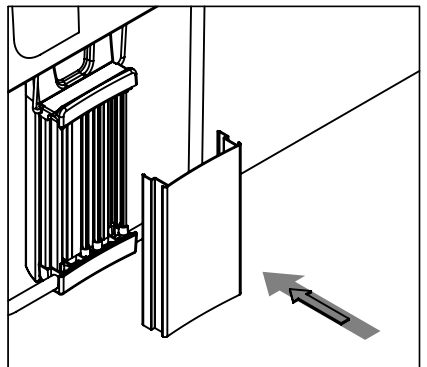
5. Place the back rest assembly onto the arm rest brackets as shown...



6. Hook the arm rest cross-bar into brackets. **Note: backrest not shown for illustration purposes.**



7. With the cover removed, secure the seat assembly to the wall through the six mounting holes. **Note: Fixings will pass through the backrest and into the wall.**



8. Once the wall mount and backrest is securely fixed, clip the cover plate on.

Please read these installation instructions carefully. Incorrect fitting will invalidate the guarantee. After the installation please retain these instructions for the end user.

### Safety

- Make sure there are no hidden pipes or cables where you intend to drill.
- Wear safety goggles, shoes and appropriate clothing.
- If you require assistance selecting the correct fixing for this product please see fixing guide supplied or contact a fixings specialist for more advice.
- If you are unsure about any part of the installation, please contact our technical department on 01460 258682

### General Care

- Clean immediately after use to stop a build up of dirt and scale. Leaving soap/shampoo pools can cause permanent stains.
- To clean, use warm soapy water or water containing a small amount of washing up liquid and rinse off with clean water.
- Occasional use of a mild bathroom limescale remover is acceptable.
- Do not use bleach, scouring powders, solvents or aggressive cleaning agents.
- Minor scratches and abrasions can be polished out with a mild polishing compound.

If you require any further information about  
this product please contact our technical  
department on: 01460 258 682

Impey Showers  
Conquest Business Park  
Ilton  
Somerset  
TA19 9EA

TEL: 01460 256090  
FAX: 01460 259800

[info@impeyshowers.com](mailto:info@impeyshowers.com)  
[www.impeyshowers.com](http://www.impeyshowers.com)

**impey**