

SAFETY

Please read these installation instructions carefully before proceeding.

Keep guide for future reference.

If you are unsure about any part of the installation, please contact our Technical Department on: 01460 258682.

Incorrect installation will invalidate the guarantee.

Please note: we recommend a flow rate no greater than 38 L/min for use with this product. Ensure your shower unit does not exceed this*.

Make sure there are no hidden pipes or cables in the floor or walls where you intend to drill.

Wear safety goggles, gloves for handling, appropriate clothing and footwear.

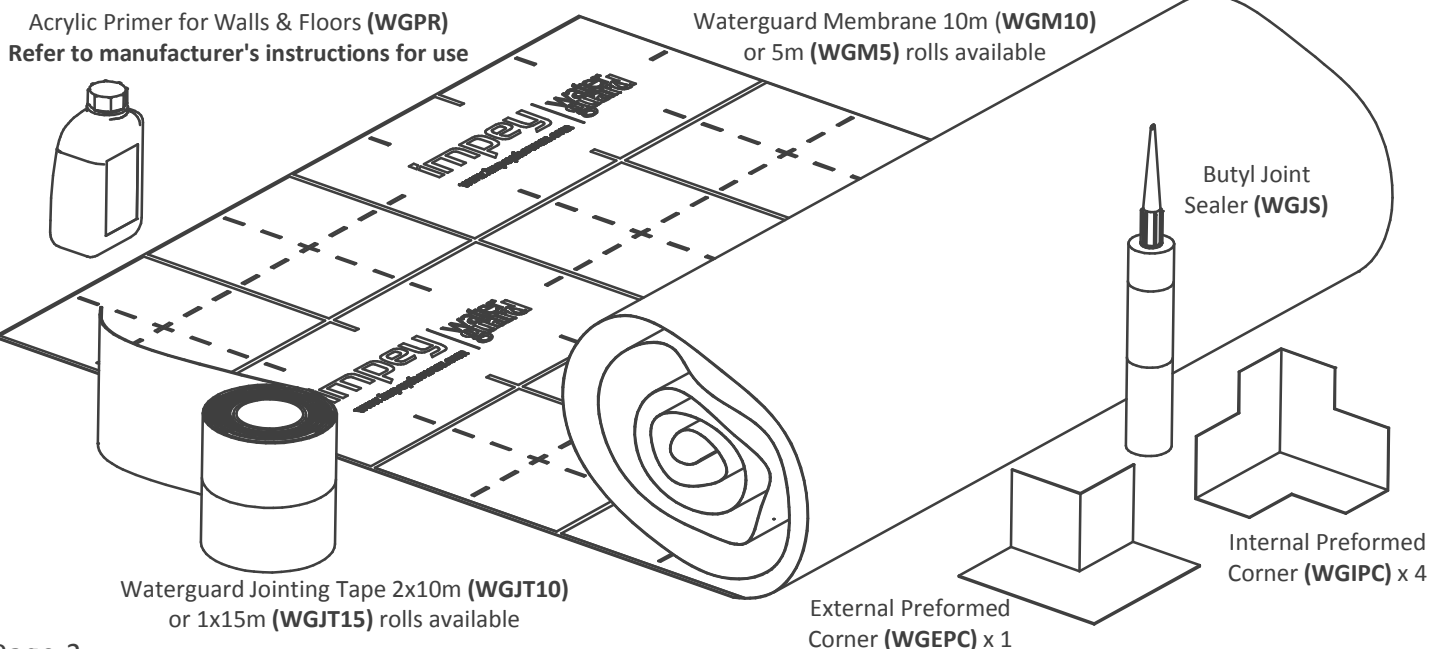
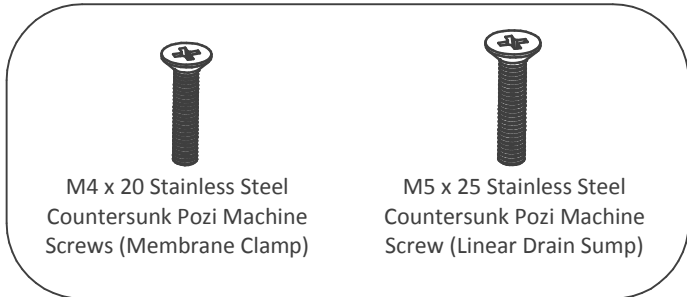
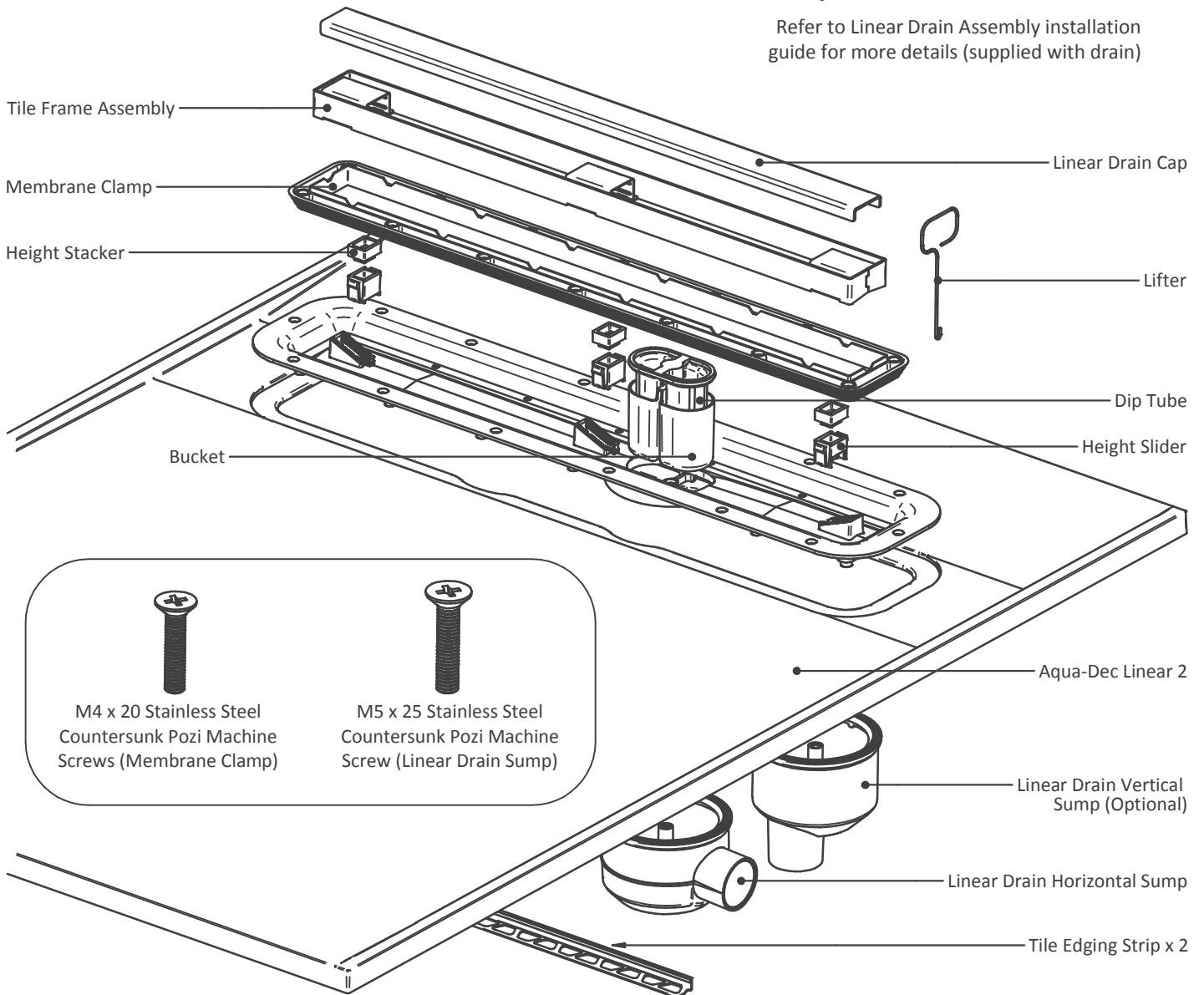
Handle with care.

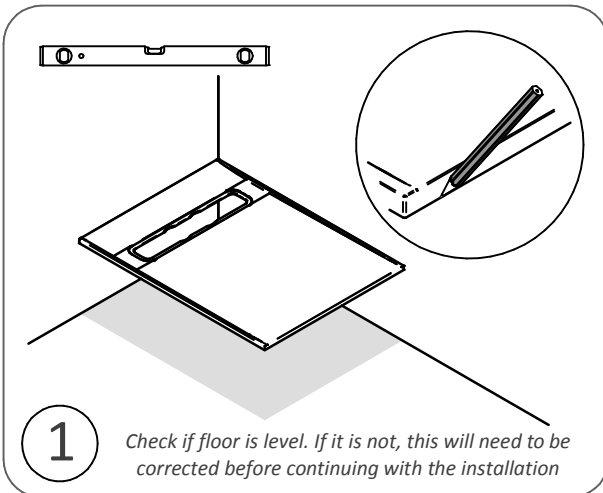
This product can be installed on wooden or concrete floors.

**Flow rates stated are maximum and are subject to variation depending on site conditions and Dec size. Site conditions include the type, position and number of shower sprays. All products must be installed strictly to manufacturers instructions and may be subject to change without prior notice. Please contact our technical department for further information.*

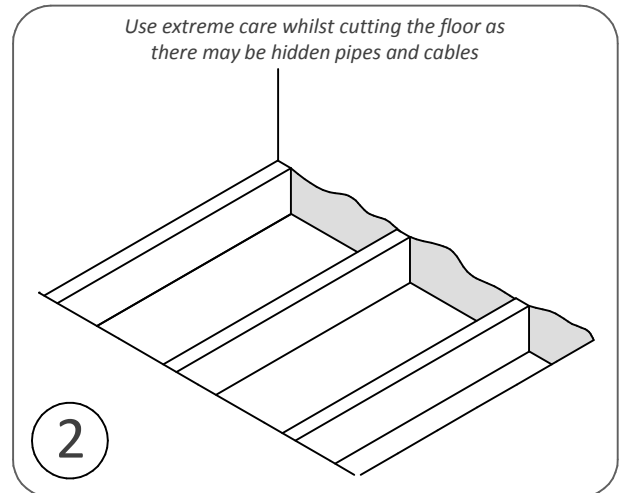
Aqua-Dec Linear 2 Installation Guide Component Content List

Refer to Linear Drain Assembly installation guide for more details (supplied with drain)

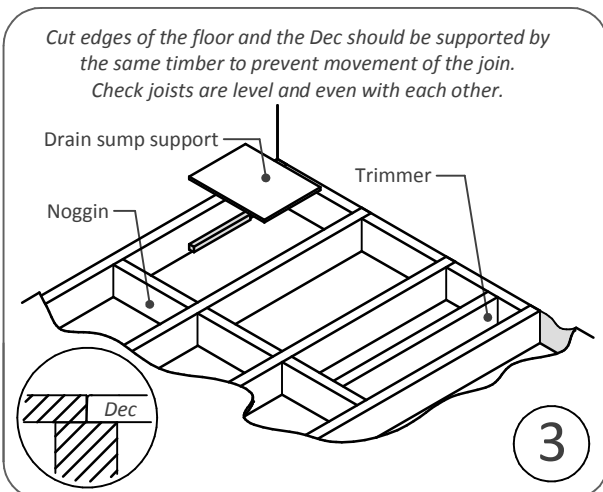




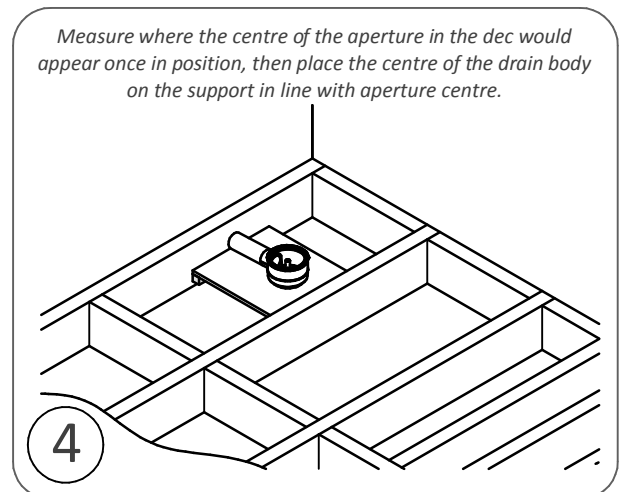
Position the Aqua-Dec Linear 2 in the desired location on the floor and mark around the outer edge.



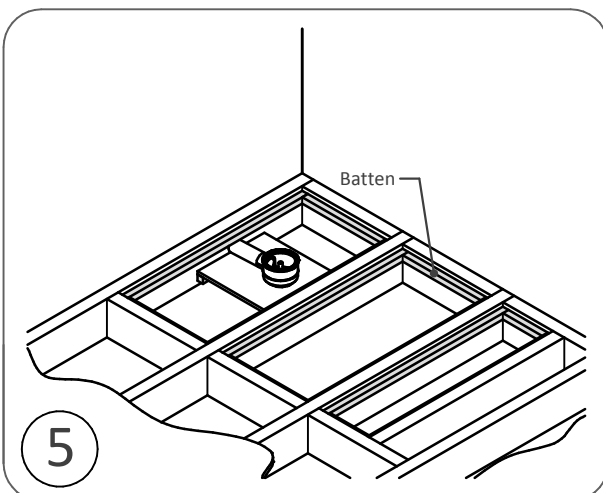
Using suitable saw, cut along the outline, then remove the floorboards.



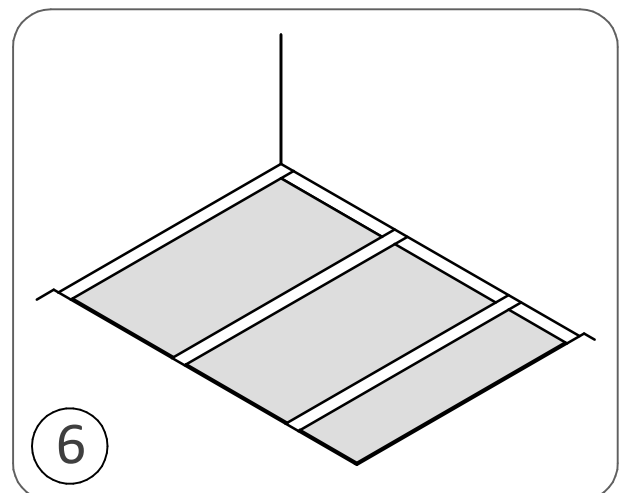
Fit noggins and trimmers to support outer edges of the Dec. A support 96mm below the level of the bottom of the dec should also be fitted at this point. This is for the drain sump to rest on.



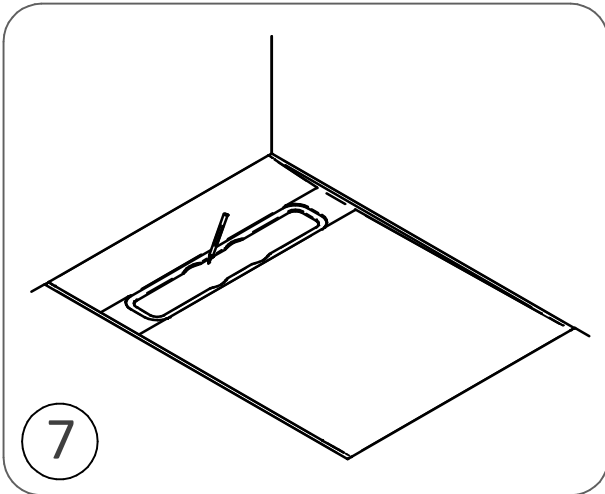
Install the waste pipework in accordance with current building regulations and connect to the drain sump in an approved manner using solvent cement.



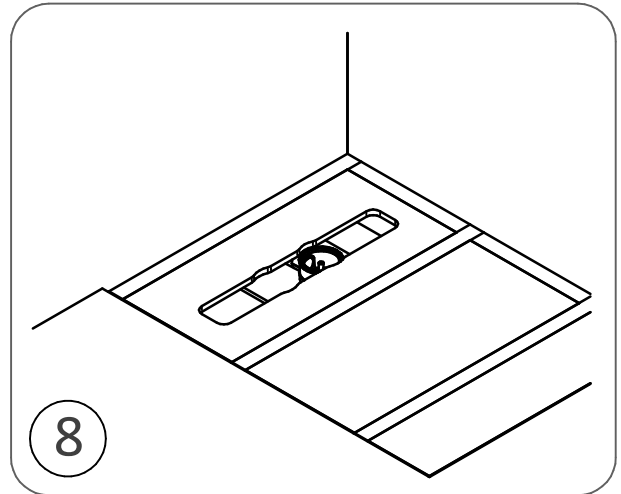
Fix battens to the side of the joists and noggins. The battens must be fixed 18mm below the top of the joists to allow for the thickness of the plywood to provide flat and level base on which the dec will be installed.



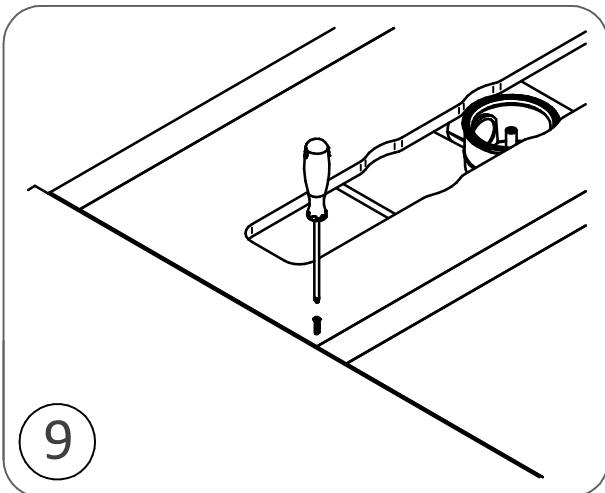
Measure and cut out 18mm plywood panels. Position them all, but DO NOT SECURE YET. Check the panels are level with each other.



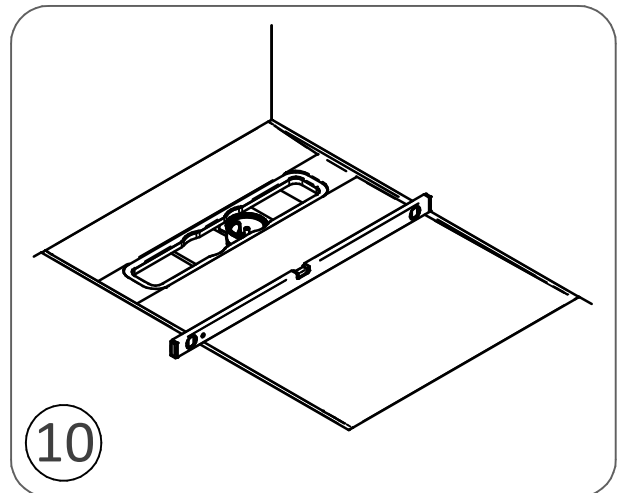
7 Place the dec onto the plywood platform. Mark a line around the aperture in the dec into which the drain fits.



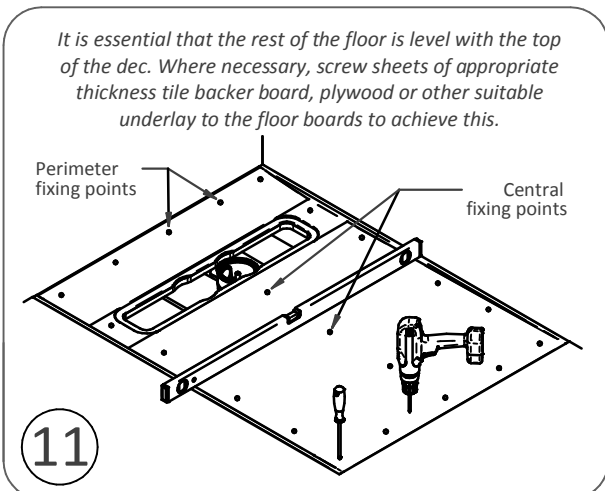
8 Using a suitable saw cut along the outline previously drawn onto the plywood base. If the lines cross the joists, notch the joists in accordance with current building regulations to a maximum depth of 20mm (this may be reduced if the dec needs to be packed up).



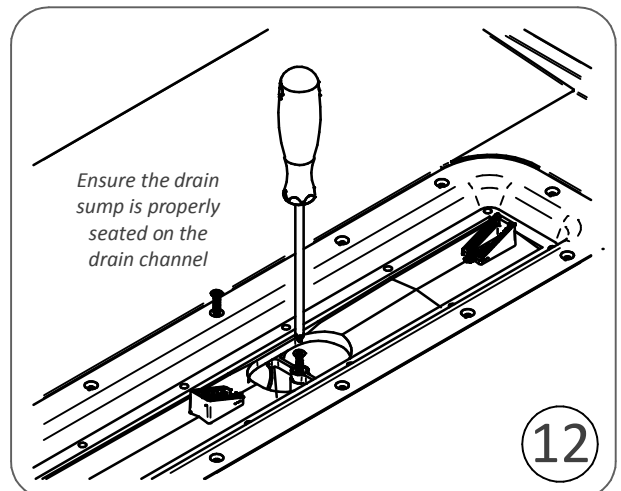
9 Drill and screw the plywood base to the battens below.



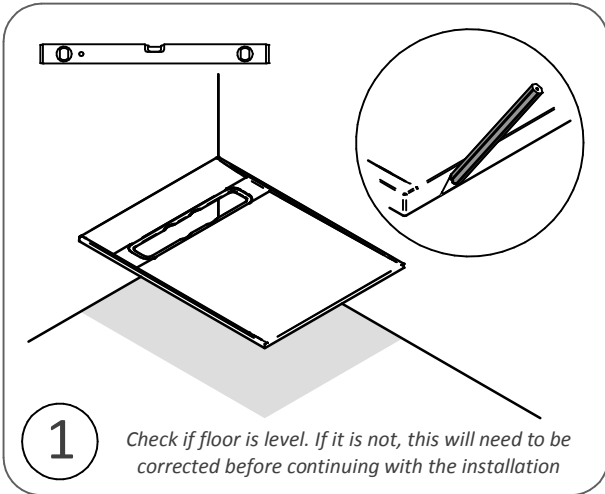
10 Replace the dec onto the plywood base, ensuring it is perfectly level. This is important if the correct drainage from the dec is to be achieved. If this is not the case, use suitable packing under the dec to ensure it is level.



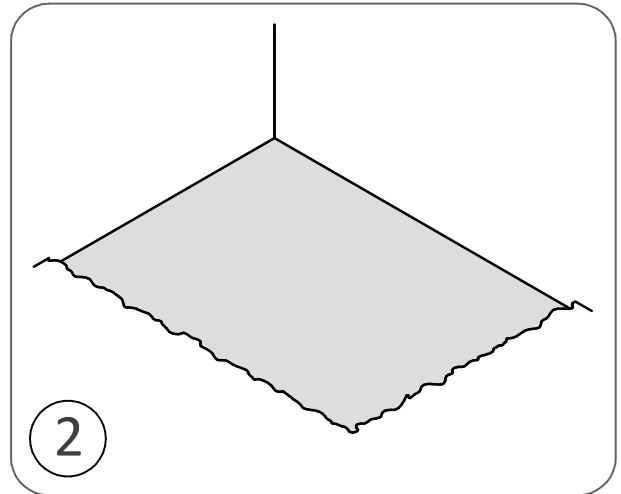
11 Ensure the dec is perfectly level, then drill and screw it to the plywood beneath using screws provided (5x60mm). The dec should be secured around the perimeter at approx. 200mm intervals and in the centre as shown.



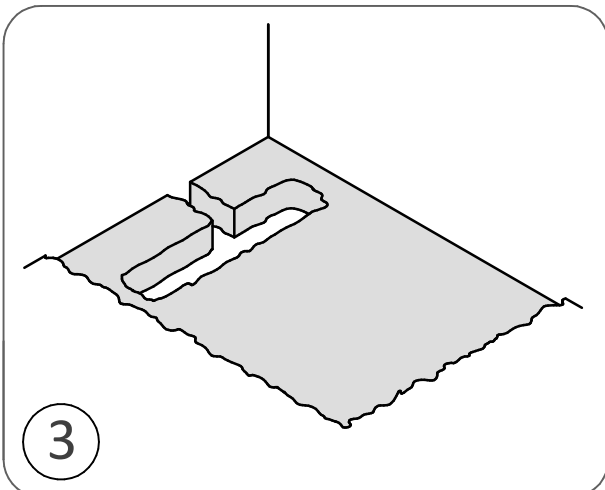
12 Position the drain channel into the dec and screw it to the drain sump as shown. **Do Not Overtighten.** Then using an appropriate drill, drill through and screw it to the dec in the predefined positions on the top of the drain channel.



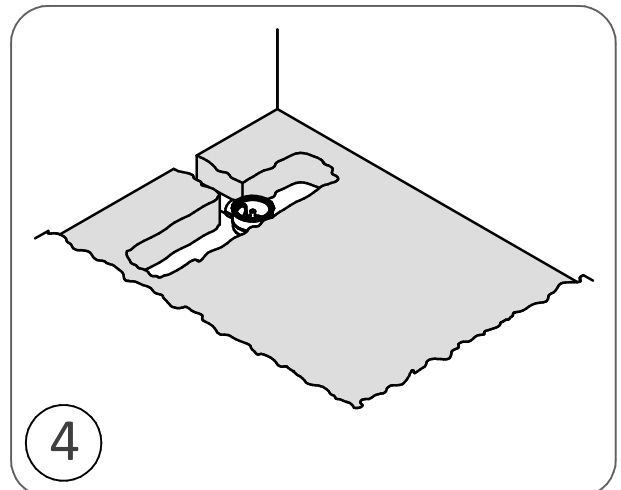
Position the Aqua-Dec Linear 2 in the desired location on the floor and mark around the outer edge.



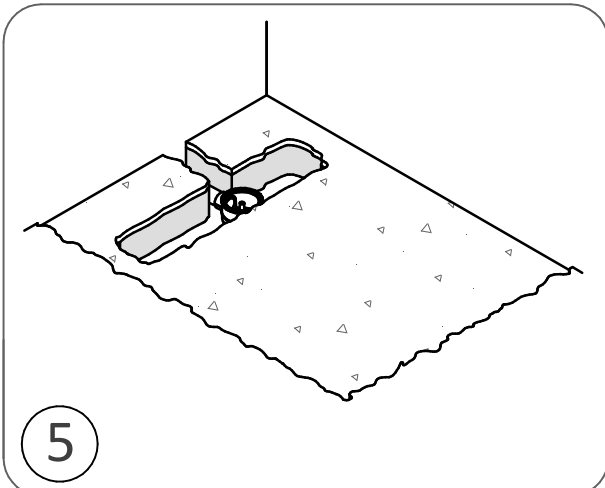
Using a suitable equipment, excavate all the concrete within the marked area to a minimum depth of 35mm. **Use extreme care whilst cutting the floor as there may be hidden pipes and cables.**



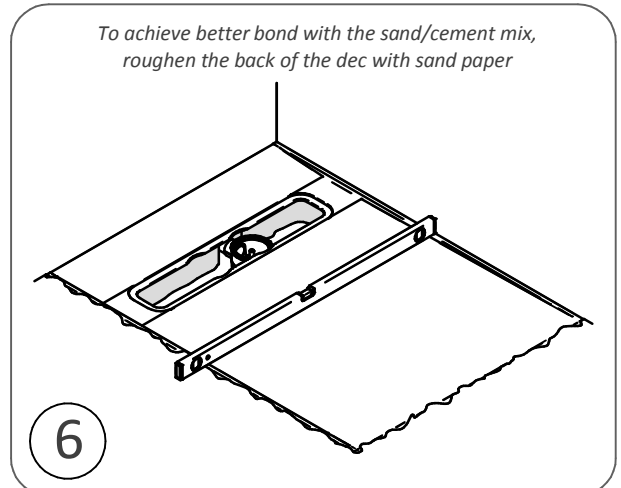
Mark a position of the drain channel and remove enough concrete for the installation of a waste pipe and shower trap. It is important that there is suitable support for the base of the trap, 96mm below the level of the bottom of the dec.



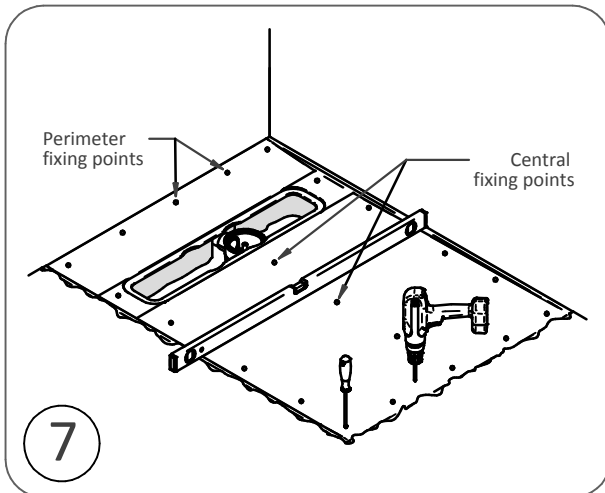
Measure where the drain sump would appear once in position. Place it in the excavated area ensuring the base is sufficiently supported, then install the waste pipework in accordance with current building regulations and connect to the trap using solvent cement.



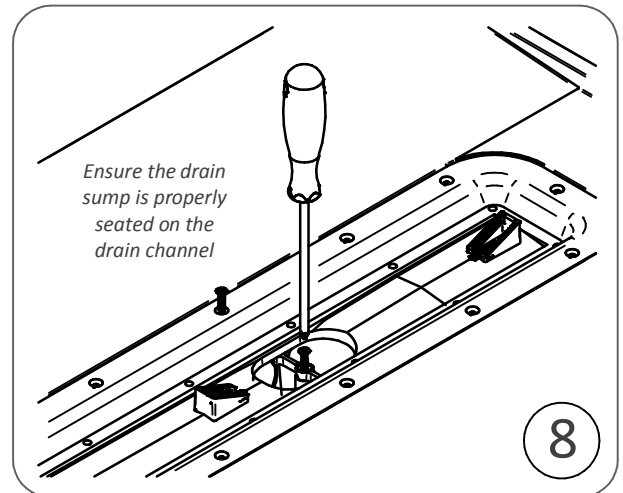
Lay a weak sand cement mix in the excavated hole. **Ensure the mix is fairly dry.**



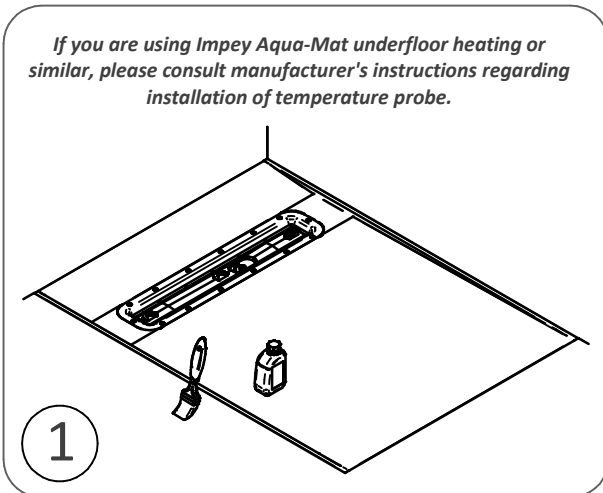
Place the dec onto the weak sand/cement mix ensuring the dec is flush with the surrounding floor and perfectly level. If this is not the case pack more weak sand/cement mix under the dec.



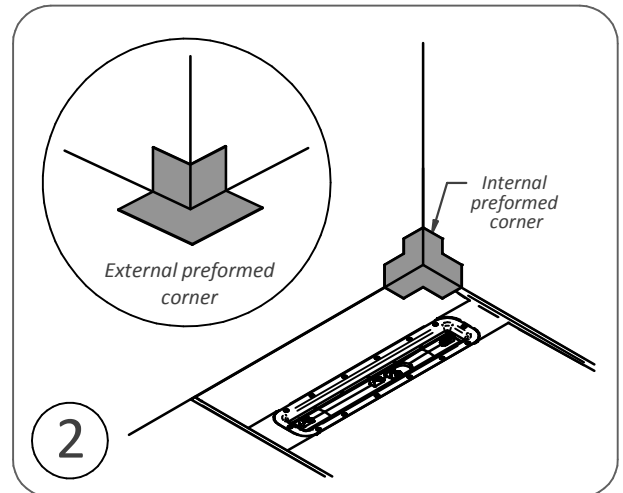
Ensure the dec is perfectly level, then drill and screw it to the concrete below using suitable sized plugs and screws. The dec should be secured around the perimeter at approx. 200mm intervals and in the centre as shown. **Ensure the dec does not become distorted when screwing down.** Leave to set over night.



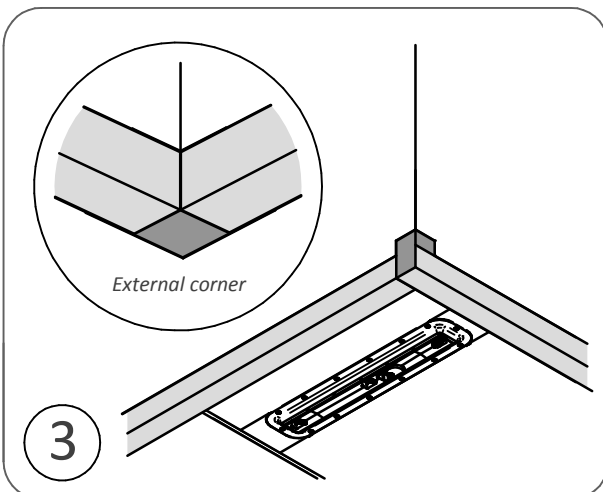
Position the drain channel into the dec and screw it to the drain sump as shown. **Do Not Overtighten.** Then using an appropriate drill, drill through and screw it to the dec in the predefined positions on the top of the drain channel.



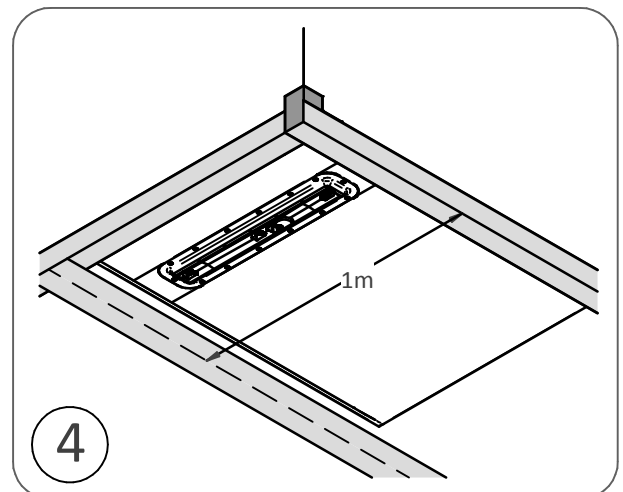
Ensure the surface is clean, dry, free from dust, grease, oil etc., all indentations should be filled and any protrusions struck off. Oily or greasy surfaces should be cleaned with a suitable cleaner, thoroughly rinsed then allowed to dry. Apply the primer to all porous surfaces.



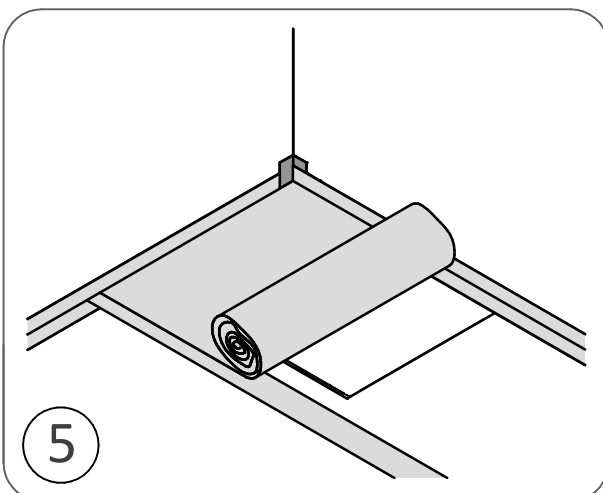
When primer is fully dry begin tanking the wetroom. Apply the internal or external preformed corner to wall to wall and wall to floor interfaces.



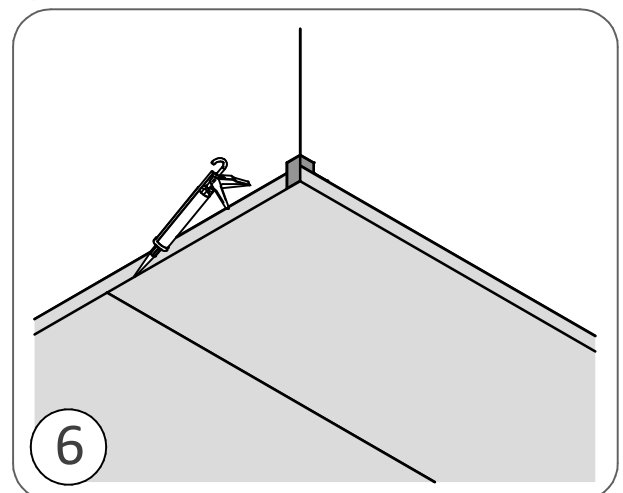
Using the 150mm jointing tape, line all the corners and wall/floor junctions so that the tape overlaps 75mm at the wall and 75mm onto the floor.



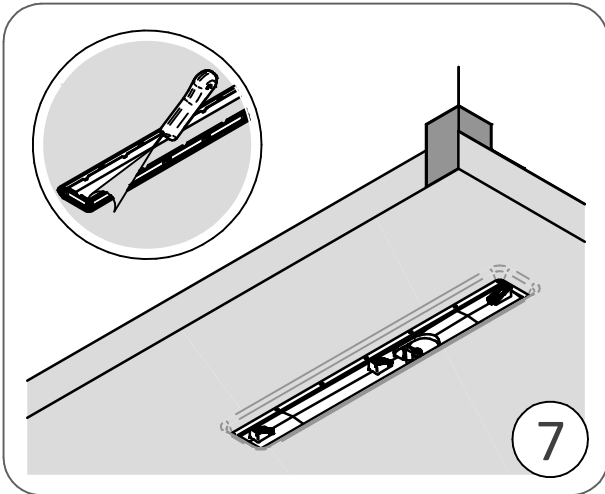
Measure 1m (the width of the sheet of Waterguard Membrane) and mark a guide line for the jointing tape. Removing the release paper set the tape down so that the guide line runs along the centre of the tape.



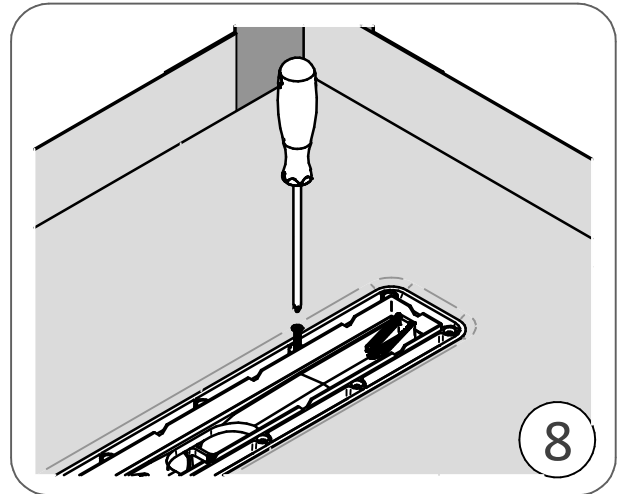
Measure and cut required length of Waterguard Membrane. Remove the release paper and carefully set into position - pressing firmly onto the jointing tape. Repeat steps 4 and 5 until the floor is covered.



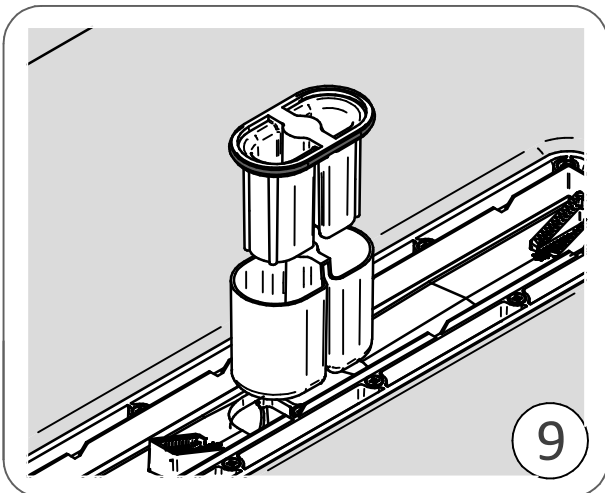
Using an applicator gun, apply sealant at all wall to wall and wall to floor interfaces, pipe entries, etc. **Allow the sealant to cure before applying tile adhesive.**



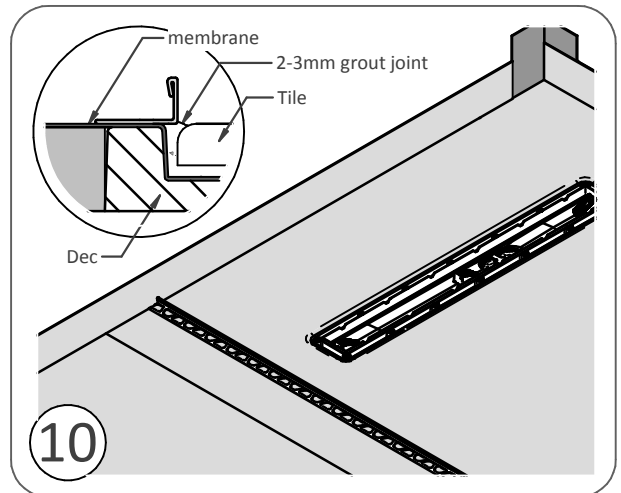
Find the location of the drain by gently pressing the membrane over the drain channel, then using the membrane clamp as a guide, cut the membrane to the inside edge and remove centre piece.



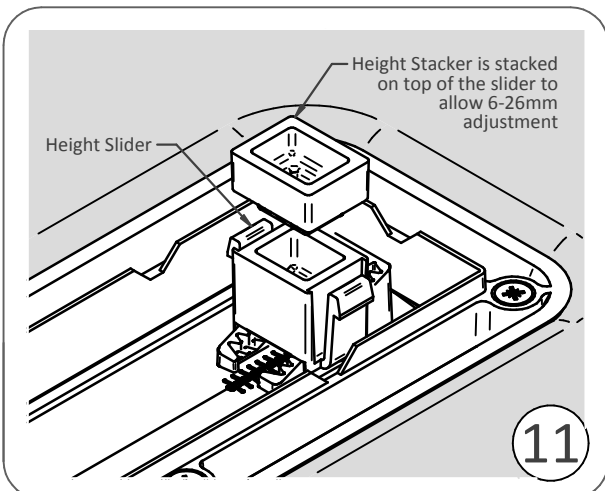
The clamp should be carefully pressed into position to allow the membrane to stretch over the linear channel, once the membrane has begun to stretch into place, gradually tighten the screws. The clamp must be lowered evenly into place. **Do not use power tools.**



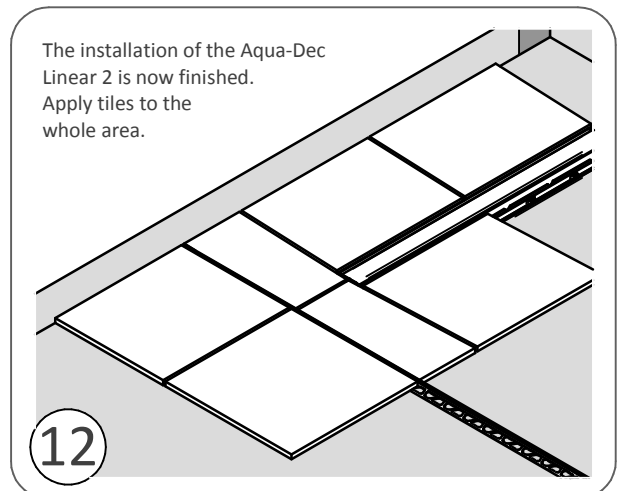
The bucket and dip tube need to be inserted at this stage.



Fix the edging strip on top of the floor/dec upstand joint, ensuring the strip overhangs slightly allowing for the 2-3mm grout joint.



The correct height of the tile frame assembly is achieved by moving the height slider into the corresponding position in the ramp (6-16mm). To gain an additional 10mm, the height stacker is stacked on top of the slider. **If you are using Impey Aqua-Mat underfloor heating or similar, you will need to consider the overall thickness of the heating mat, tile adhesive and tiles at this stage. When the linear drain cap is inserted it should be level and flush with the tiles. Once the desired height is determined the height sliders/stackers must be glued in place with an ABS suitable solvent cement.**



The installation of the Aqua-Dec Linear 2 is now finished. Apply tiles to the whole area.

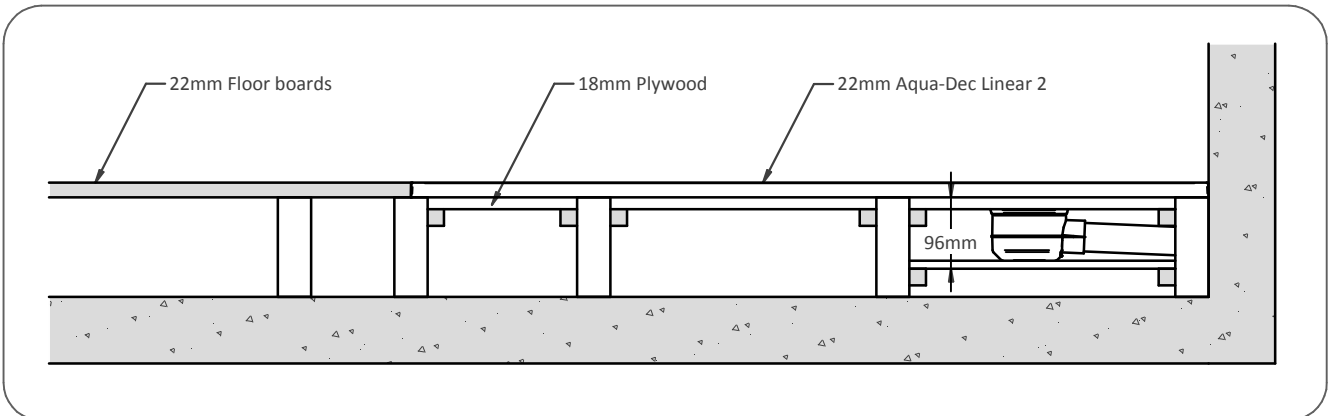


Diagram 1. Cross section of Dec and joists

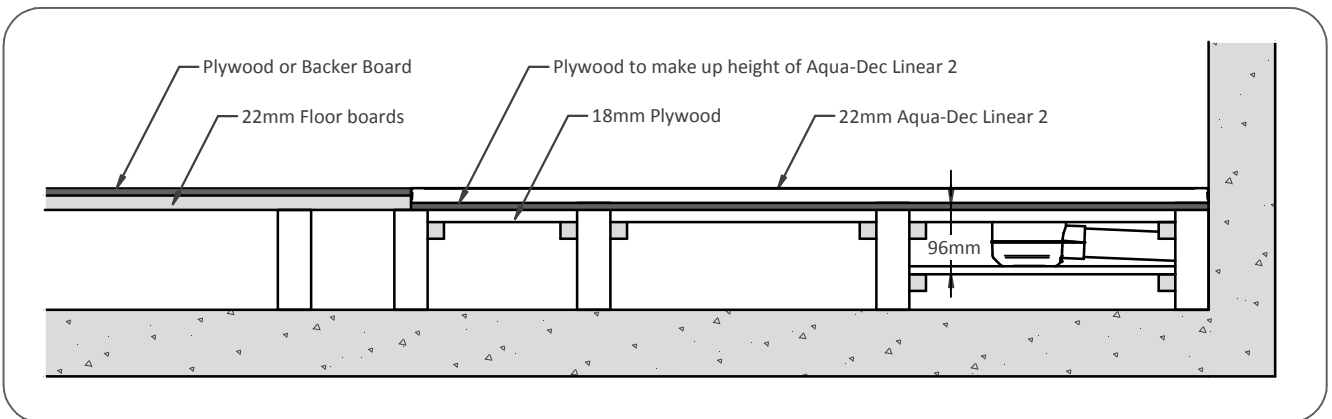


Diagram 2. Cross section of dec and joists

This stage may not be relevant in all installations. In some situations additional treatment will need to be carried out to the existing timber floor, this may require the floor to be overlaid with a tile backer board or suitable plywood. Refer to the relevant British Standard codes of practice and the tile adhesive manufacturer's recommendation for more information. If the floor does need to be overlaid then the Aqua-Dec Linear 2 will need to be raised in order that it remains flush with the surrounding floor. This can be done by simply inserting a sheet of plywood of suitable thickness on top of the 18mm platform already created.

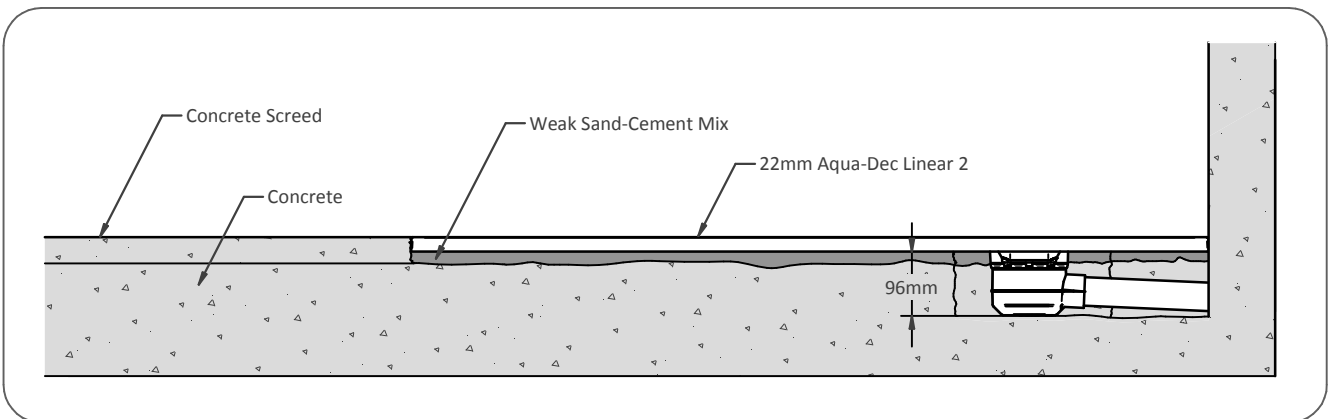


Diagram 3. Cross section of Dec and concrete floor.

impey

THE WETROOM SPECIALIST

IMPEY SHOWERS LIMITED, CONQUEST BUSINESS PARK, ILTON, SOMERSET TA19 9EA
TEL: 0870 909 0770 | FAX: 01460 57605 | EMAIL: info@impeyshowers.com

www.impeyshowers.com



facebook.com/impeyshowers



[@impeyshowers](https://twitter.com/impeyshowers)