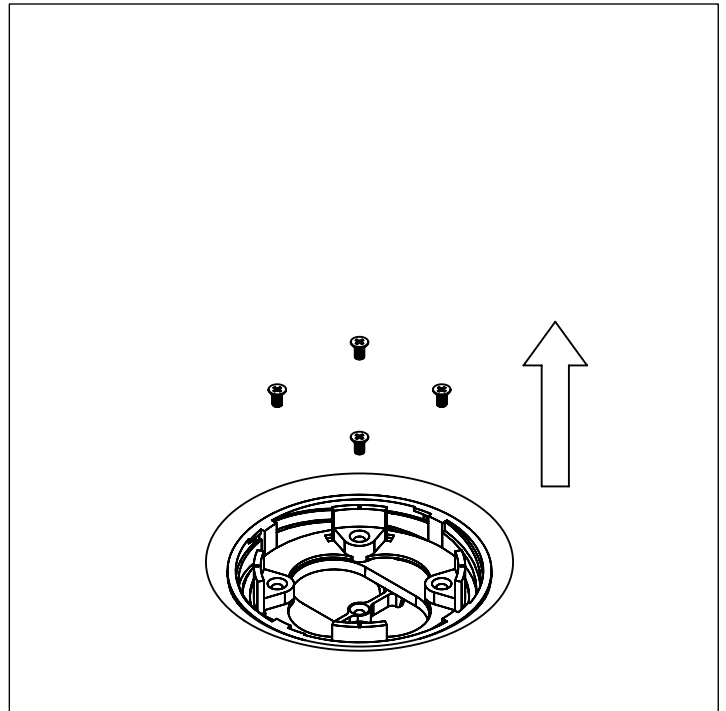
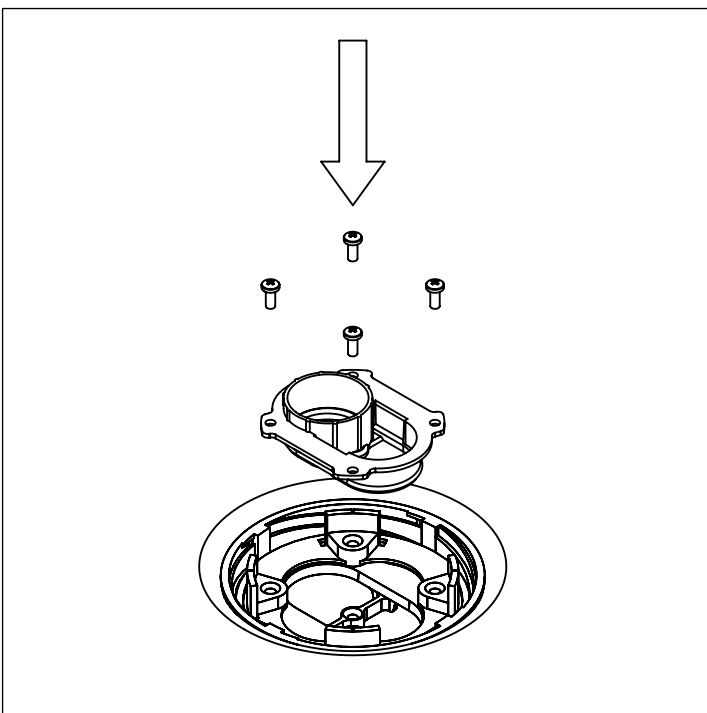


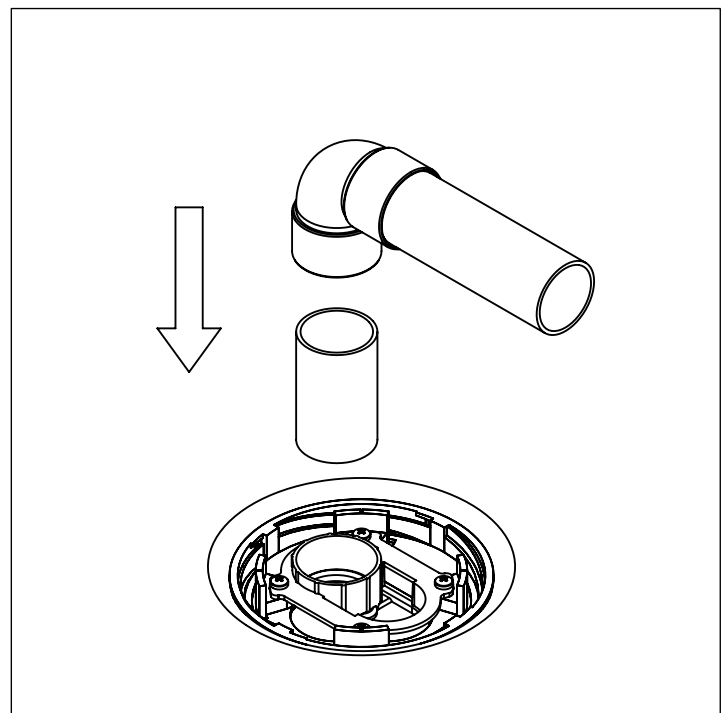
1. Remove drain cap and trap components.



3. Remove the screws from the clamp.



3. Install bath adapter with screws provided.  
**Note: Ensure o-ring seal is fitted.**



4. Connect adapter to bath waste using appropriate pipework. The bath adapter is suitable for use with ABS solvent cement.

## **SAFETY**

- Please read these installation instructions carefully before proceeding.
- Keep guide for future reference.
- If you are unsure about any part of the installation, please contact our technical department on 01460 258 682
- Incorrect installation will invalidate the guarantee.
- Make sure there are no hidden pipes or cables in the floor or walls where you intend to drill.
- Wear safety goggles, shoes and appropriate clothing.